


Množstvo	Popis
1	<p data-bbox="268 376 507 403">ALPHA2 20-40 N 150</p>  <p data-bbox="660 723 1273 745">Poznámka: Obrázok produktu sa môže líšiť od skutočného produktu</p> <p data-bbox="268 757 552 779">Objednacie č.: 92505498</p> <p data-bbox="268 869 1449 940">Grundfos ALPHA2 high-efficiency circulator pumps are designed for circulating liquids in heating systems. The stainless-steel variant of the ALPHA2 is suitable for, for example, domestic hot-water systems. With an energy efficiency index (EEI) well below the ErP benchmark, it ensures substantial energy savings.</p> <p data-bbox="268 987 1449 1037">The AUTOADAPT function continuously adapts pump performance to the actual heat demand, that is the size of the system and changing heat demand during the year.</p> <p data-bbox="268 1048 1449 1097">The AUTOADAPT feature finds the setting that provides optimal comfort with minimal energy consumption and makes commissioning fast, safe and easy.</p> <p data-bbox="268 1108 1300 1131">ALPHA2 also offers proportional-pressure, constant-pressure and constant-curve control modes.</p> <p data-bbox="268 1209 1412 1258">With the automatic night-setback function, the pump automatically changes between normal duty and night setback.</p> <p data-bbox="268 1270 1204 1292">Changeover depends on the flow-pipe temperature controlled by the heating appliance.</p> <p data-bbox="268 1303 1428 1352">In manual summer mode, the pump does not operate but starts automatically at low speed to avoid blocking the rotor as well as sticky valves and non-return valves.</p> <p data-bbox="268 1400 1428 1449">Control modes and functions are selected using the buttons on the display. The LEDs indicate the operating status, actual power consumption in watts or actual flow rate in m³/h as well as warnings and alarms.</p> <p data-bbox="268 1518 1364 1568">Furthermore, ALPHA2 is compatible with ALPHA Reader and the Grundfos GO Balance app, enabling installers to perform easy hydronic balancing of radiator and underfloor heating systems.</p> <p data-bbox="268 1615 1460 1697">The design and materials of the pump contribute to a long service life. The pump is self-venting through the system, which contributes to easy commissioning. The compact design, featuring a pump head with an integrated control box, fits into most common installations.</p> <p data-bbox="268 1731 901 1814">Pump and motor form an integral unit without a shaft seal. The bearings are lubricated by the pumped liquid. These design features ensure maintenance-free operation.</p> <p data-bbox="268 1848 1396 1919">The active dry-running protection feature protects the pump against dry running during startup and normal operation. In case of a blocked rotor, the pump will continuously attempt to restart with the highest torque possible.</p> <p data-bbox="268 1975 1372 2047">Pump housings made of cast iron are electrocoated to improve corrosion resistance. The motor is a synchronous permanent-magnet/compact-stator motor characterised by high efficiency. Pump speed is controlled by an integrated frequency converter incorporated in the control box.</p>



Názov spoločnosti:

Vytvoril:

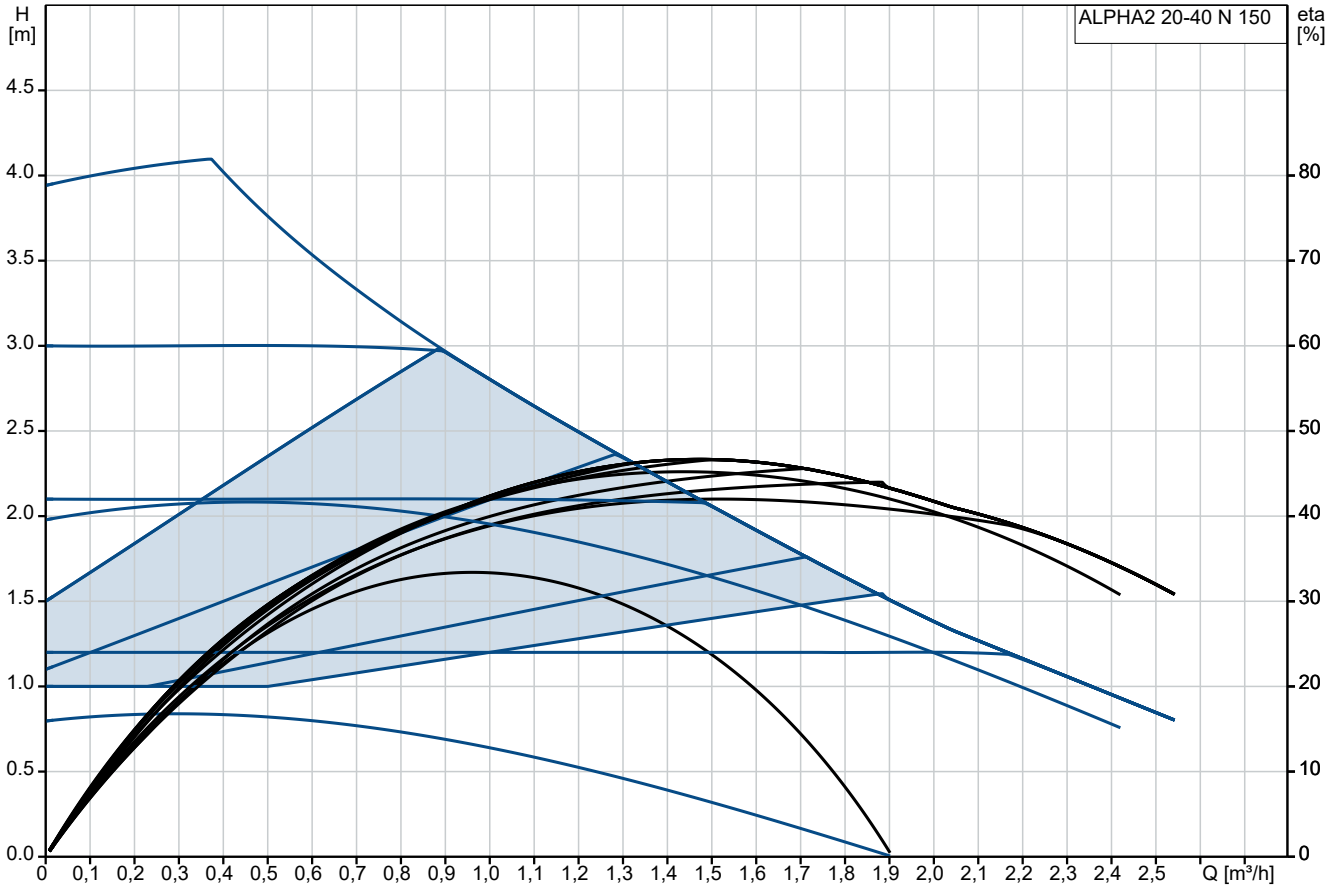
Telefón:

Dátum:

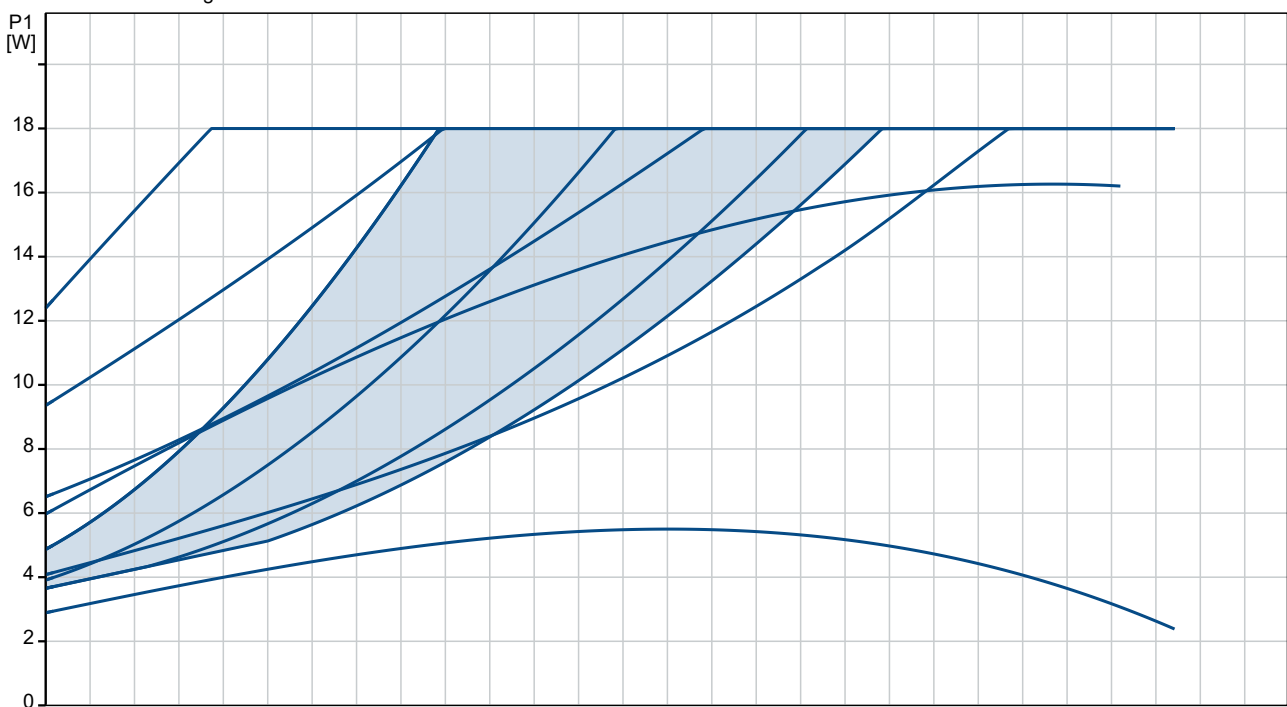
5. 5. 2026

Množstvo	Popis
1	Pumps are supplied with insulating shells to minimise heat loss in heating systems.

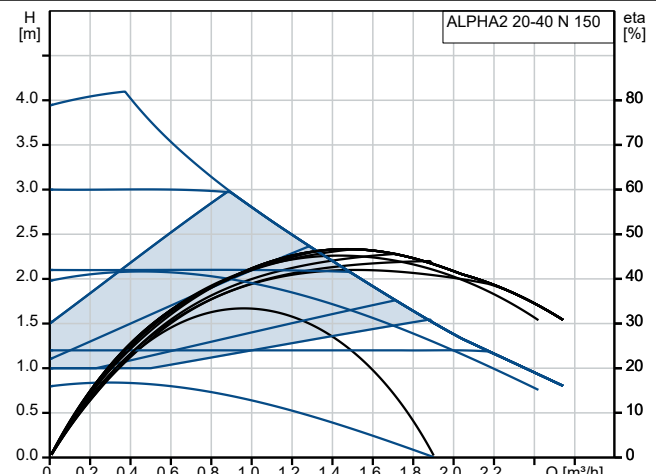
92505498 ALPHA2 20-40 N 150



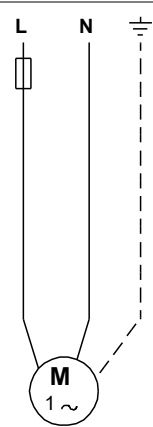
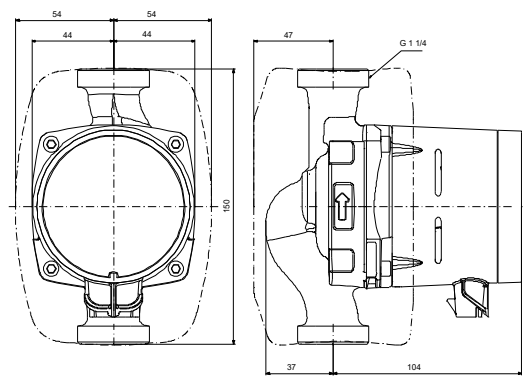
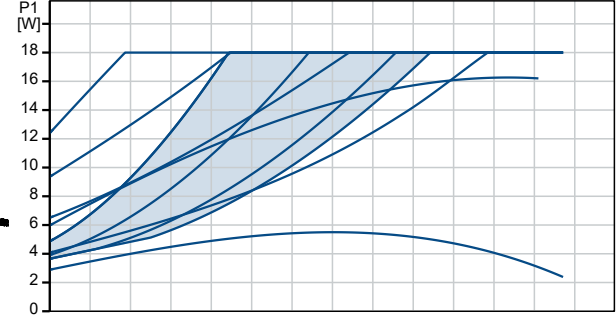
Čerpaná kvapalina = Voda
Teplota kvapaliny počas prevádzky = 20 °C
Hustota = 998.2 kg/m³



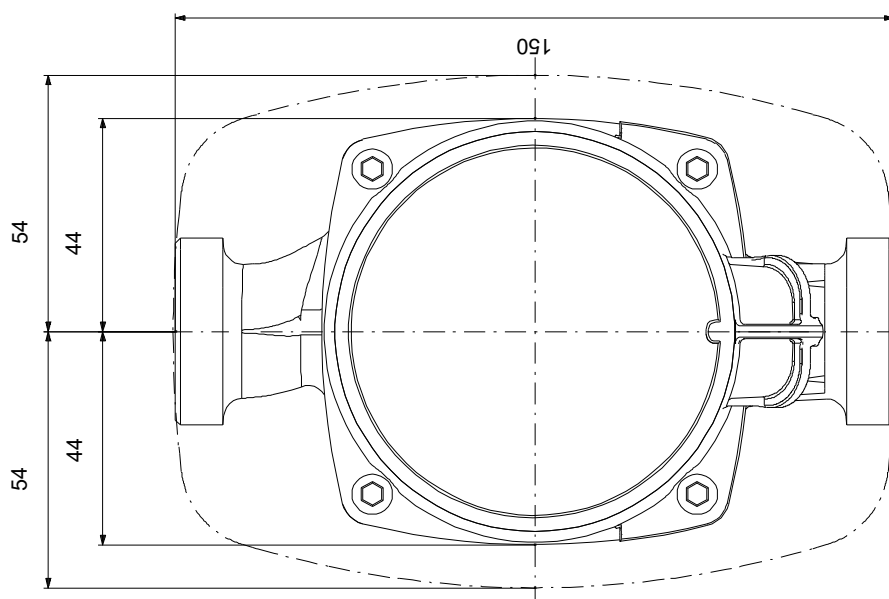
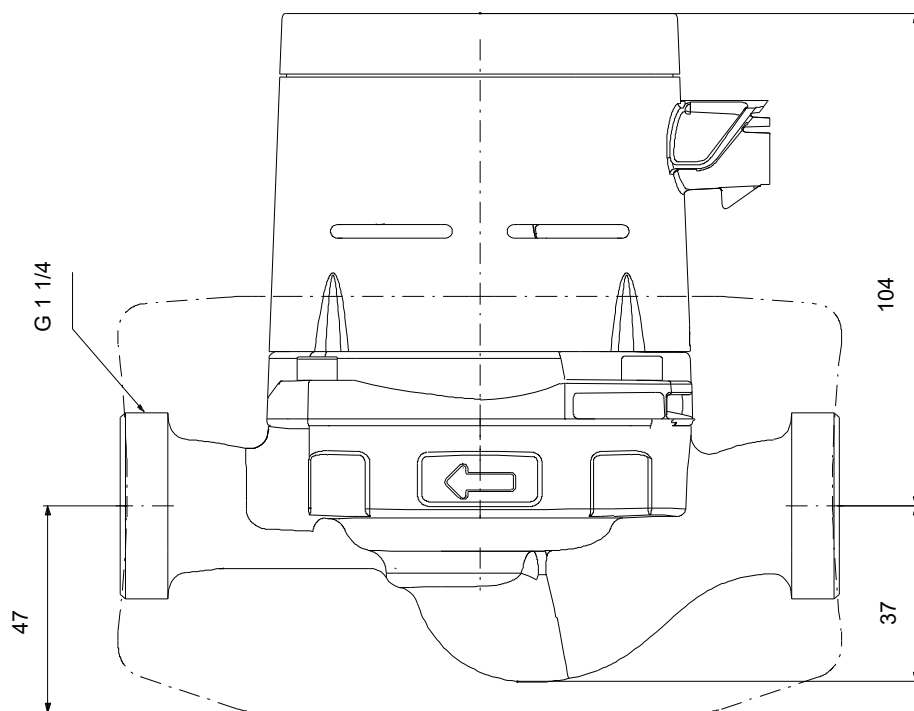
Popis	Hodnota
Všeobecné informácie:	
Názov produktu:	ALPHA2 20-40 N 150
Objednacie číslo:	92505498
Číslo EAN:	5715115433678
Techn.:	
Menovitý prietok:	1.5 m ³ /h
Men.dopravná výška:	2.01 m
Max. výtláčná výška:	40 dm
Orientácia hlavy čerpadla:	6H
Trieda TF:	110
Schválenia:	VDE,CE,EAC
Model:	E
Materiály:	
Teleso čerpadla:	Nehrdzavejúca oceľ EN 1.4308 ASTM A351-CF8
Obežné koleso:	Kompozit PES 30% GF + PESU-GF20%
Inštalácia:	
Rozsah teploty okolia:	0 .. 40 °C
Maximálny prevádzkový tlak:	10 bar
Druh pripojenia:	G
Veľkosť pripojenia:	1 1/4 inch
PN pre potrubnú prípojku:	PN 10
Pripojenie na príp.:	150 mm
Kvapalina:	
Čerpaná kvapalina:	Voda
Rozsah teploty kvapaliny:	2 .. 110 °C
Vybraná teplota kvapaliny:	20 °C
Hustota:	998.2 kg/m ³
Elektrické údaje:	
P1 min:	3 W
Príkion P1:	18 W
f:	50 / 60 Hz
Menovité napätie:	1 x 230 V
I MAX:	0.04 .. 0.18 A
Krytie IP:	IPX4D
Izolácia:	F
Tepelná ochrana:	ELEC
Riadiace jednotky:	
Aut. nočná prevádzka:	Vrátane automat. nočnej reduk. prevádzky
Iné:	
Energia (EEL):	0.15
Čistá hmotnosť:	1.99 kg
Hrubá hmotnosť:	2.13 kg
Prepravné množstvo:	0.004 m ³
Dánčina:	380450240
Švédčina:	5790551



Čerpaná kvapalina = Voda
Teplota kvapaliny počas prevádzky = 20 °C
Hustota = 998.2 kg/m³

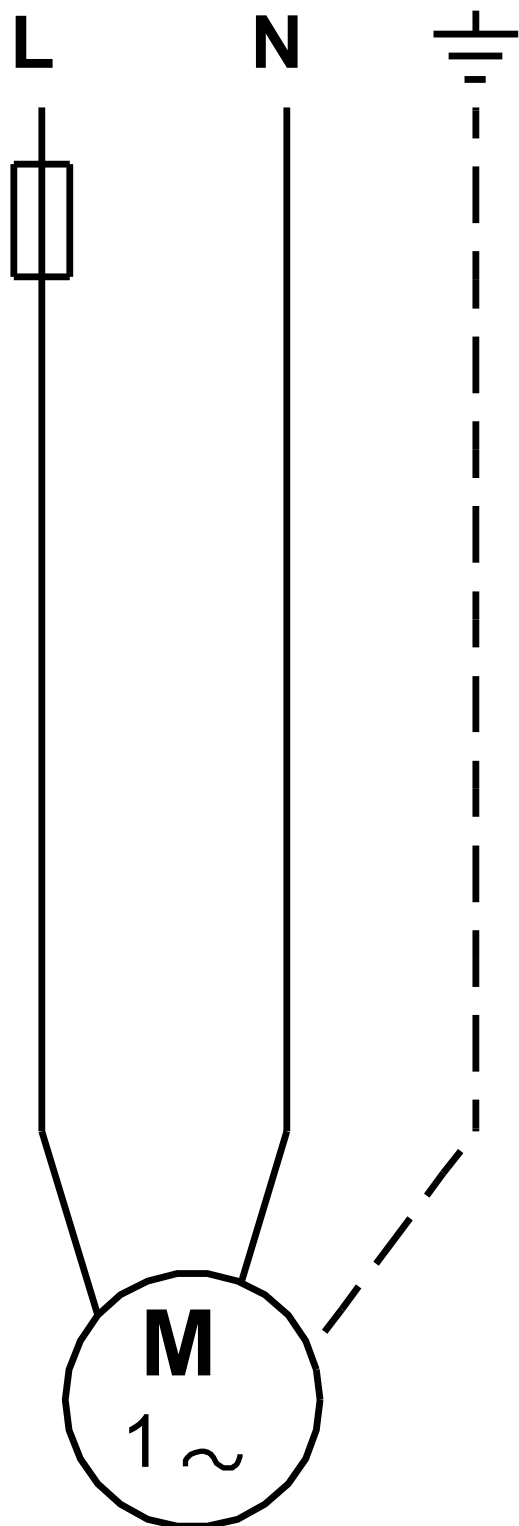


92505498 ALPHA2 20-40 N 150



Upozornenie! Všetky jednotky musia byť v [mm], pokiaľ nie je uvedené inak.
Poznámka: Tento zjednodušený rozmerový náčrtok nezobrazuje všetky detaily.

92505498 ALPHA2 20-40 N 150



Upozornenie! Všetky jednotky sú v [mm], pokiaľ nie je uvedené inak!