


Množstvo	Popis
1	<p data-bbox="268 376 507 405"><b>ALPHA2 25-40 N 130</b></p>  <p data-bbox="660 723 1273 745">Poznámka: Obrázok produktu sa môže líšiť od skutočného produktu</p> <p data-bbox="268 757 552 779">Objednacie č.: <a href="https://www.grundfos.com/99411272">99411272</a></p> <p data-bbox="268 864 1445 938">Grundfos ALPHA2 high-efficiency circulator pumps are designed for circulating liquids in heating systems. The stainless-steel variant of the ALPHA2 is suitable for, for example, domestic hot-water systems. With an energy efficiency index (EEI) well below the ErP benchmark, it ensures substantial energy savings.</p> <p data-bbox="268 987 1441 1037">The AUTOADAPT function continuously adapts pump performance to the actual heat demand, that is the size of the system and changing heat demand during the year.</p> <p data-bbox="268 1043 1449 1093">The AUTOADAPT feature finds the setting that provides optimal comfort with minimal energy consumption and makes commissioning fast, safe and easy.</p> <p data-bbox="268 1099 1299 1128">ALPHA2 also offers proportional-pressure, constant-pressure and constant-curve control modes.</p> <p data-bbox="268 1205 1409 1254">With the automatic night-setback function, the pump automatically changes between normal duty and night setback.</p> <p data-bbox="268 1261 1198 1290">Changeover depends on the flow-pipe temperature controlled by the heating appliance.</p> <p data-bbox="268 1296 1420 1346">In manual summer mode, the pump does not operate but starts automatically at low speed to avoid blocking the rotor as well as sticky valves and non-return valves.</p> <p data-bbox="268 1391 1420 1440">Control modes and functions are selected using the buttons on the display. The LEDs indicate the operating status, actual power consumption in watts or actual flow rate in m<sup>3</sup>/h as well as warnings and alarms.</p> <p data-bbox="268 1514 1361 1563">Furthermore, ALPHA2 is compatible with ALPHA Reader and the Grundfos GO Balance app, enabling installers to perform easy hydronic balancing of radiator and underfloor heating systems.</p> <p data-bbox="268 1608 1449 1693">The design and materials of the pump contribute to a long service life. The pump is self-venting through the system, which contributes to easy commissioning. The compact design, featuring a pump head with an integrated control box, fits into most common installations.</p> <p data-bbox="268 1727 895 1812">Pump and motor form an integral unit without a shaft seal. The bearings are lubricated by the pumped liquid. These design features ensure maintenance-free operation.</p> <p data-bbox="268 1850 1398 1921">The active dry-running protection feature protects the pump against dry running during startup and normal operation. In case of a blocked rotor, the pump will continuously attempt to restart with the highest torque possible.</p> <p data-bbox="268 1973 1369 2045">Pump housings made of cast iron are electrocoated to improve corrosion resistance. The motor is a synchronous permanent-magnet/compact-stator motor characterised by high efficiency. Pump speed is controlled by an integrated frequency converter incorporated in the control box.</p>



Názov spoločnosti:

Vytvoril:

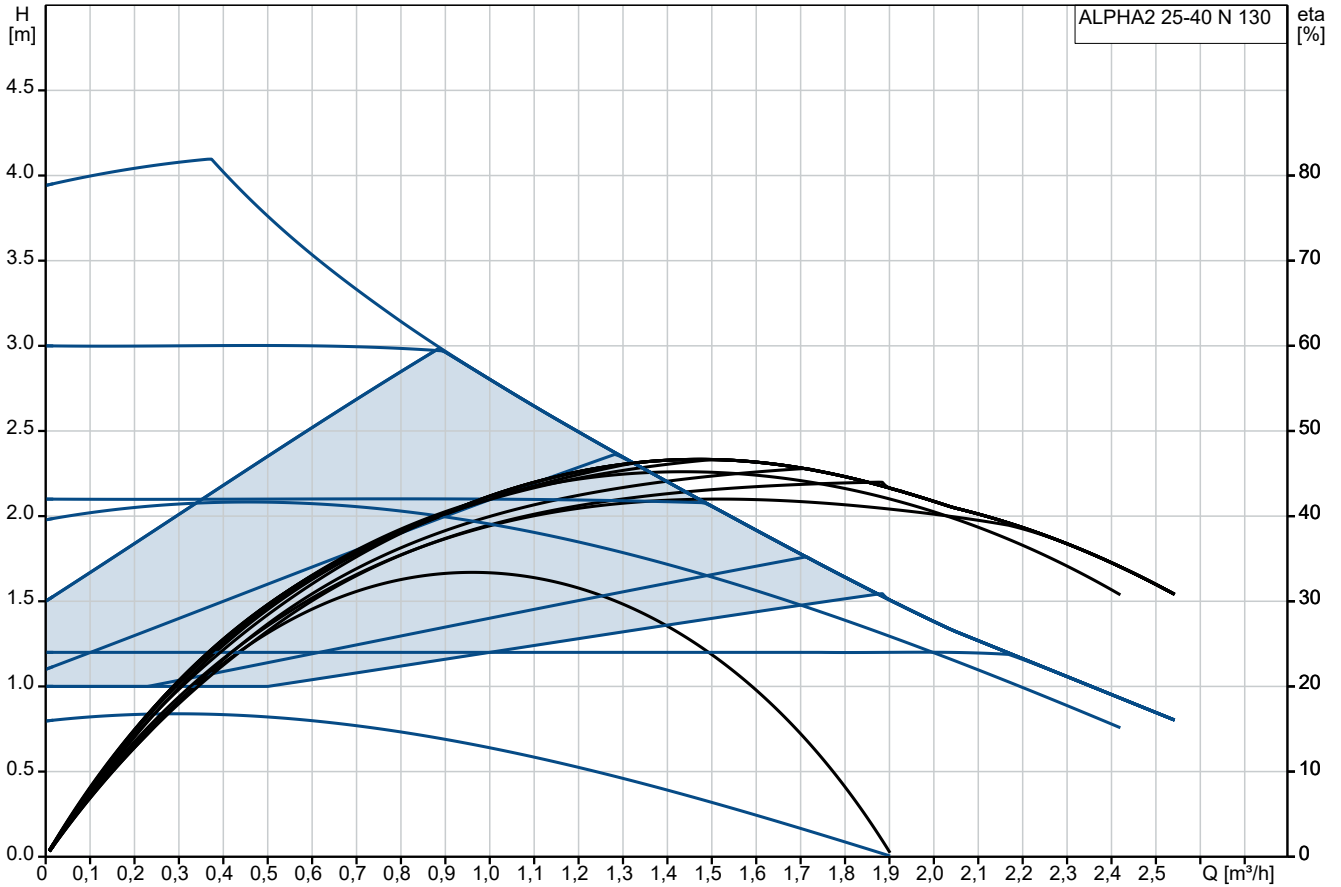
Telefón:

Dátum:

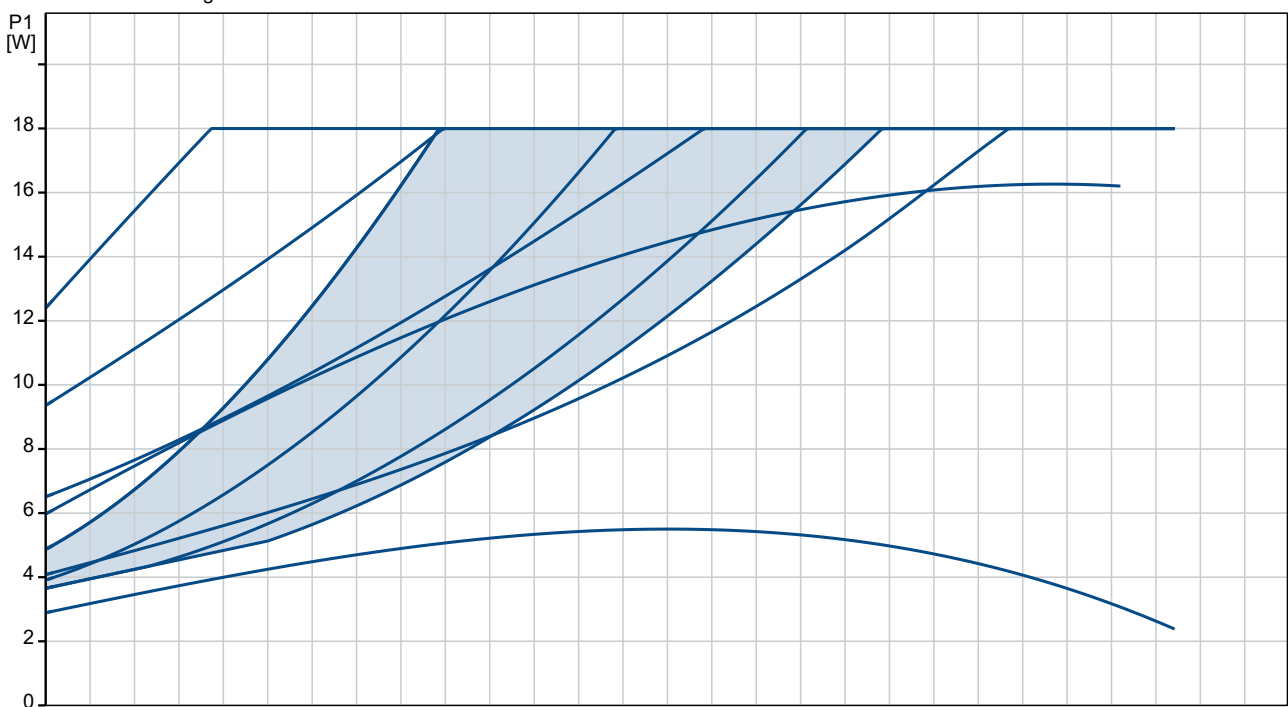
5. 5. 2026

Množstvo	Popis
1	Pumps are supplied with insulating shells to minimise heat loss in heating systems.

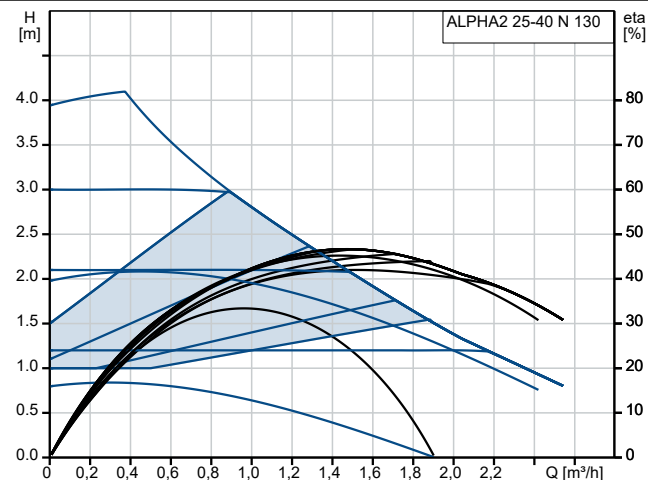
## 99411272 ALPHA2 25-40 N 130



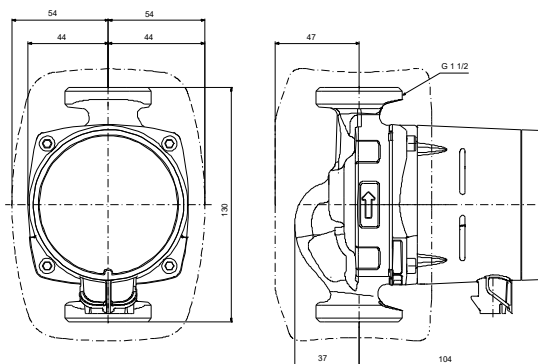
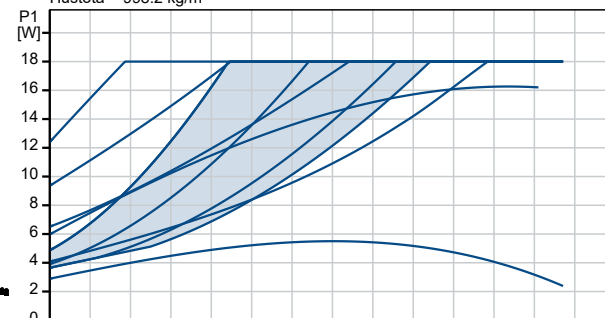
Čerpaná kvapalina = Voda  
 Teplota kvapaliny počas prevádzky = 20 °C  
 Hustota = 998.2 kg/m³



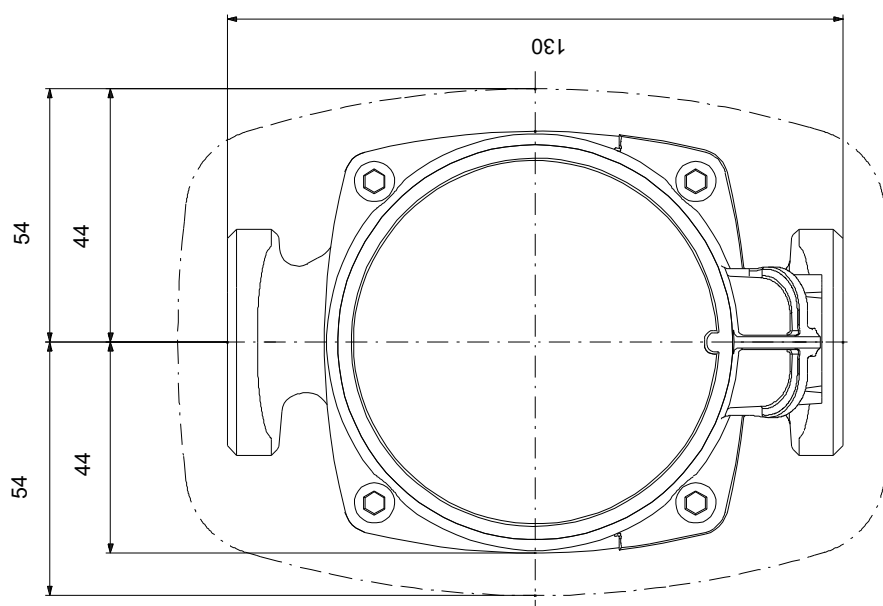
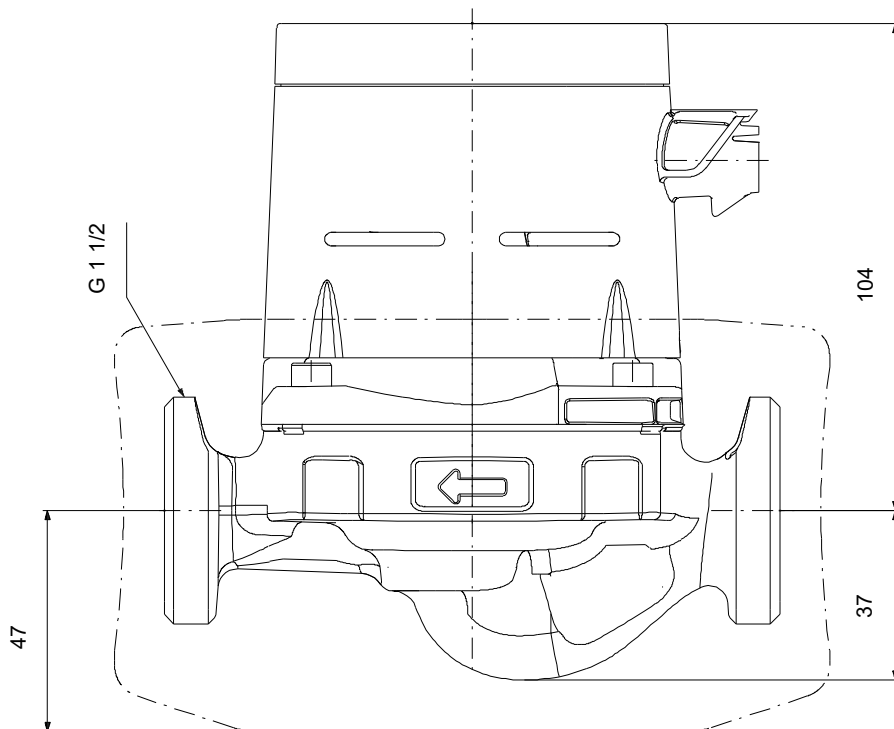
Popis	Hodnota
<b>Všeobecné informácie:</b>	
Názov produktu:	ALPHA2 25-40 N 130
Objednacie číslo:	99411272
Číslo EAN:	5713828677242
<b>Techn.:</b>	
Menovitý prietok:	1.5 m <sup>3</sup> /h
Men.dopravná výška:	2.01 m
Max. výtláčná výška:	40 dm
Orientácia hlavy čerpadla:	6H
Trieda TF:	110
Schválenia:	VDE,CE,EAC
Model:	E
<b>Materiály:</b>	
Teleso čerpadla:	Nehrdzavejúca oceľ EN 1.4308 ASTM A351-CF8
Obežné koleso:	Kompozit PES 30% GF + PESU-GF20%
<b>Inštalácia:</b>	
Rozsah teploty okolia:	0 .. 40 °C
Maximálny prevádzkový tlak:	10 bar
Druh pripojenia:	G
Veľkosť pripojenia:	1 1/2 inch
PN pre potrubnú prípojku:	PN 10
Pripojenie na prip.:	130 mm
<b>Kvapalina:</b>	
Čerpaná kvapalina:	Voda
Rozsah teploty kvapaliny:	0 .. 110 °C
Vybraná teplota kvapaliny:	20 °C
Hustota:	998.2 kg/m <sup>3</sup>
<b>Elektrické údaje:</b>	
P1 min:	3 W
Príkion P1:	18 W
f:	50 / 60 Hz
Menovité napätie:	1 x 230 V
I MAX:	0.04 .. 0.18 A
Krytie IP:	IPX4D
Izolácia:	F
Tepelná ochrana:	ELEC
<b>Riadiace jednotky:</b>	
Aut. nočná prevádzka:	Vrátane automat. nočnej reduk. prevádzky
<b>Iné:</b>	
Energia (EEL):	0.15
Čistá hmotnosť:	2.04 kg
Hrubá hmotnosť:	2.2 kg
Prepravné množstvo:	0.004 m <sup>3</sup>
Dánčina:	380463040
Švédčina:	5790513
Fínčina:	4615345
Nórčina:	9043159
Krajina pôvodu:	DK
Tarifná klasifikácia č.:	84137030



Čerpaná kvapalina = Voda  
Teplota kvapaliny počas prevádzky = 20 °C  
Hustota = 998.2 kg/m<sup>3</sup>

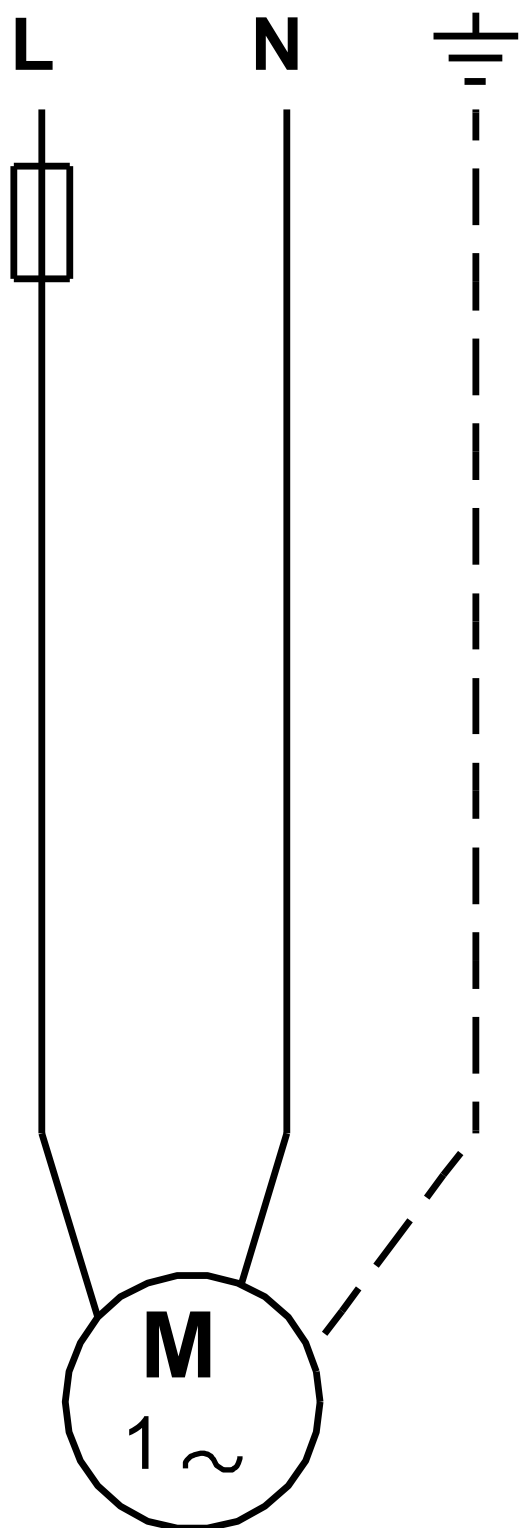


## 99411272 ALPHA2 25-40 N 130



Upozornenie! Všetky jednotky musia byť v [mm], pokiaľ nie je uvedené inak.  
Poznámka: Tento zjednodušený rozmerový náčrtok nezobrazuje všetky detaily.

**99411272 ALPHA2 25-40 N 130**



Upozornenie! Všetky jednotky sú v [mm], pokiaľ nie je uvedené inak!