


| Množstvo | Popis   |
|----------|---|
| 1        | <p data-bbox="268 376 507 405"><b>ALPHA2 25-80 N 130</b></p>  <p data-bbox="660 723 1273 745">Poznámka: Obrázok produktu sa môže líšiť od skutočného produktu</p> <p data-bbox="268 754 552 779">Objednacie č.: <a href="https://www.grundfos.com/99411289">99411289</a></p> <p data-bbox="268 864 1445 938">Grundfos ALPHA2 high-efficiency circulator pumps are designed for circulating liquids in heating systems. The stainless-steel variant of the ALPHA2 is suitable for, for example, domestic hot-water systems. With an energy efficiency index (EEI) well below the ErP benchmark, it ensures substantial energy savings.</p> <p data-bbox="268 987 1441 1037">The AUTOADAPT function continuously adapts pump performance to the actual heat demand, that is the size of the system and changing heat demand during the year.</p> <p data-bbox="268 1046 1449 1095">The AUTOADAPT feature finds the setting that provides optimal comfort with minimal energy consumption and makes commissioning fast, safe and easy.</p> <p data-bbox="268 1104 1299 1128">ALPHA2 also offers proportional-pressure, constant-pressure and constant-curve control modes.</p> <p data-bbox="268 1205 1409 1254">With the automatic night-setback function, the pump automatically changes between normal duty and night setback.</p> <p data-bbox="268 1263 1198 1288">Changeover depends on the flow-pipe temperature controlled by the heating appliance.</p> <p data-bbox="268 1296 1420 1346">In manual summer mode, the pump does not operate but starts automatically at low speed to avoid blocking the rotor as well as sticky valves and non-return valves.</p> <p data-bbox="268 1391 1418 1440">Control modes and functions are selected using the buttons on the display. The LEDs indicate the operating status, actual power consumption in watts or actual flow rate in m<sup>3</sup>/h as well as warnings and alarms.</p> <p data-bbox="268 1512 1358 1561">Furthermore, ALPHA2 is compatible with ALPHA Reader and the Grundfos GO Balance app, enabling installers to perform easy hydronic balancing of radiator and underfloor heating systems.</p> <p data-bbox="268 1606 1449 1691">The design and materials of the pump contribute to a long service life. The pump is self-venting through the system, which contributes to easy commissioning. The compact design, featuring a pump head with an integrated control box, fits into most common installations.</p> <p data-bbox="268 1724 895 1809">Pump and motor form an integral unit without a shaft seal. The bearings are lubricated by the pumped liquid. These design features ensure maintenance-free operation.</p> <p data-bbox="268 1850 1398 1921">The active dry-running protection feature protects the pump against dry running during startup and normal operation. In case of a blocked rotor, the pump will continuously attempt to restart with the highest torque possible.</p> <p data-bbox="268 1973 1366 2045">Pump housings made of cast iron are electrocoated to improve corrosion resistance. The motor is a synchronous permanent-magnet/compact-stator motor characterised by high efficiency. Pump speed is controlled by an integrated frequency converter incorporated in the control box.</p> |



Názov spoločnosti:

Vytvoril:

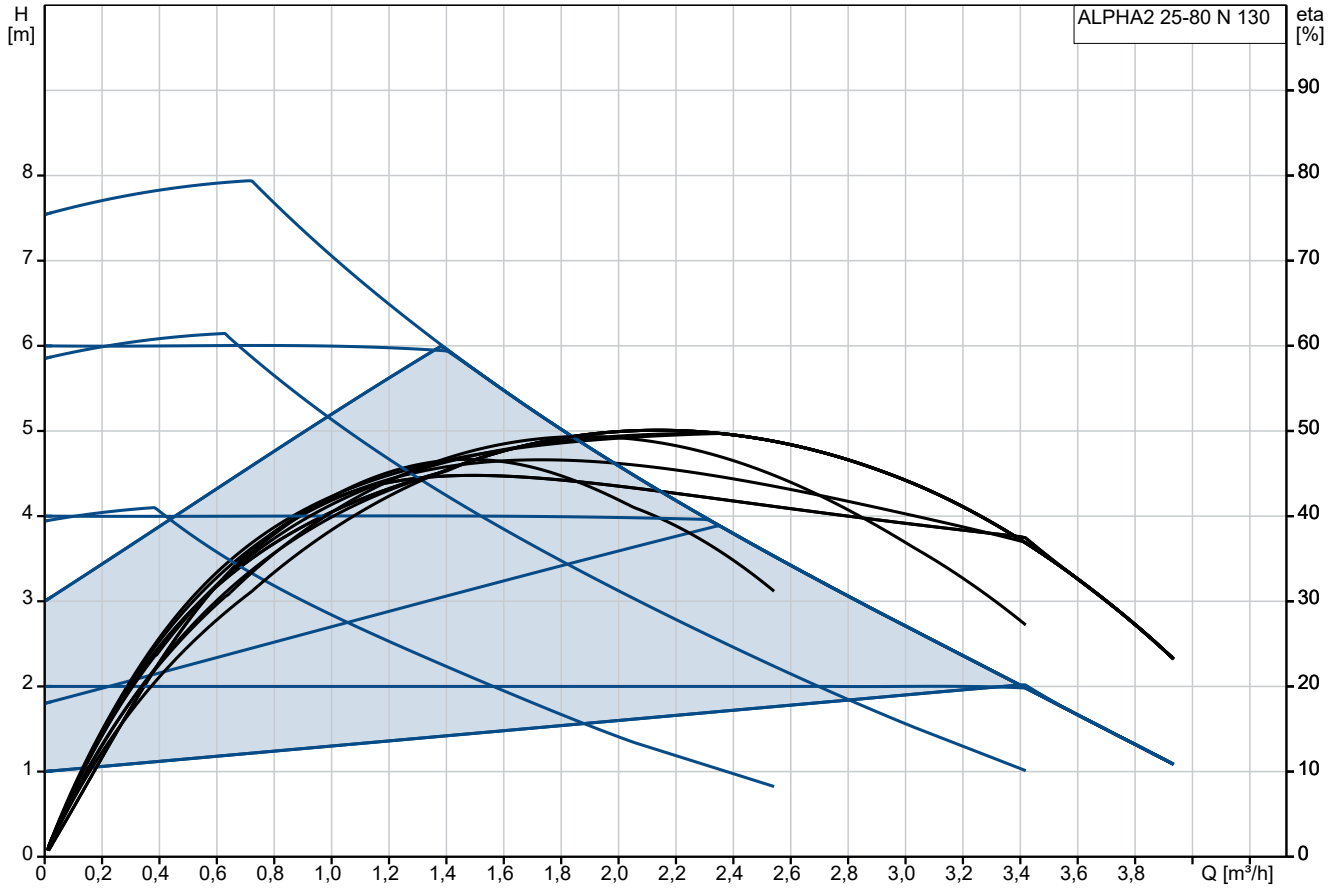
Telefón:

Dátum:

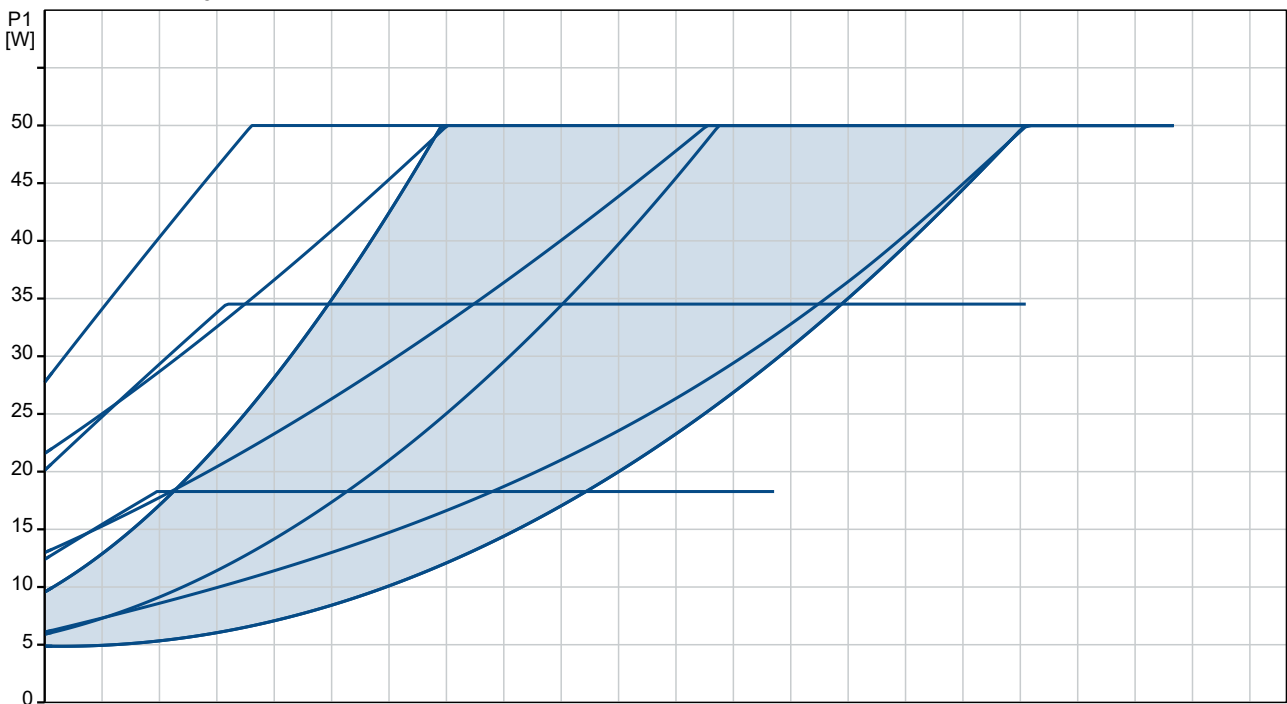
5. 5. 2026

| Množstvo | Popis   |
|----------|---|
| 1        | Pumps are supplied with insulating shells to minimise heat loss in heating systems. |

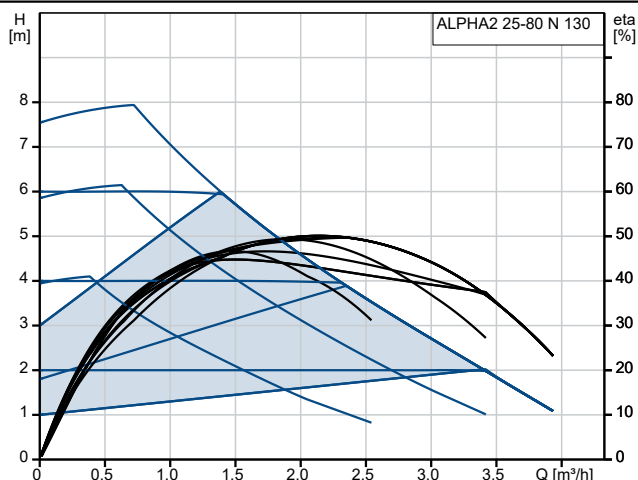
## 99411289 ALPHA2 25-80 N 130



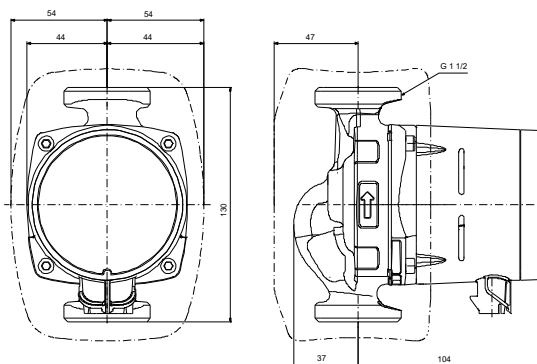
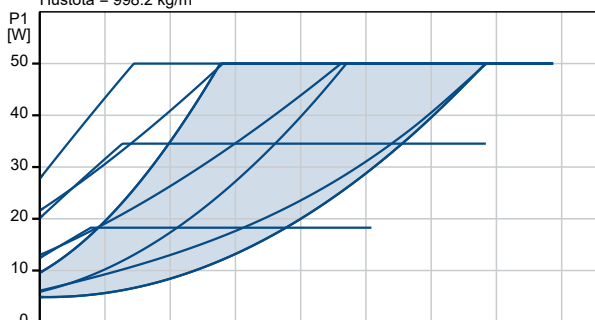
Čerpaná kvapalina = Voda  
 Teplota kvapaliny počas prevádzky = 20 °C  
 Hustota = 998.2 kg/m³



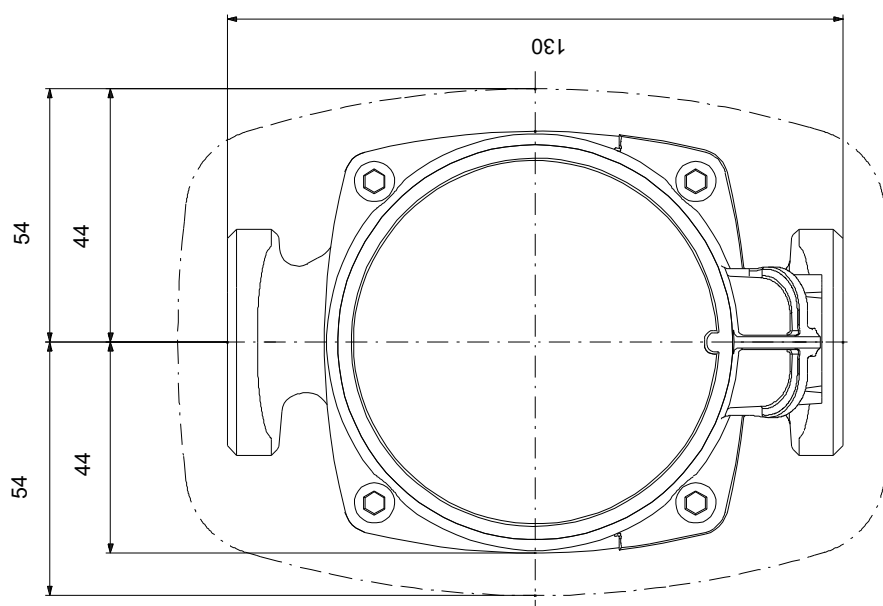
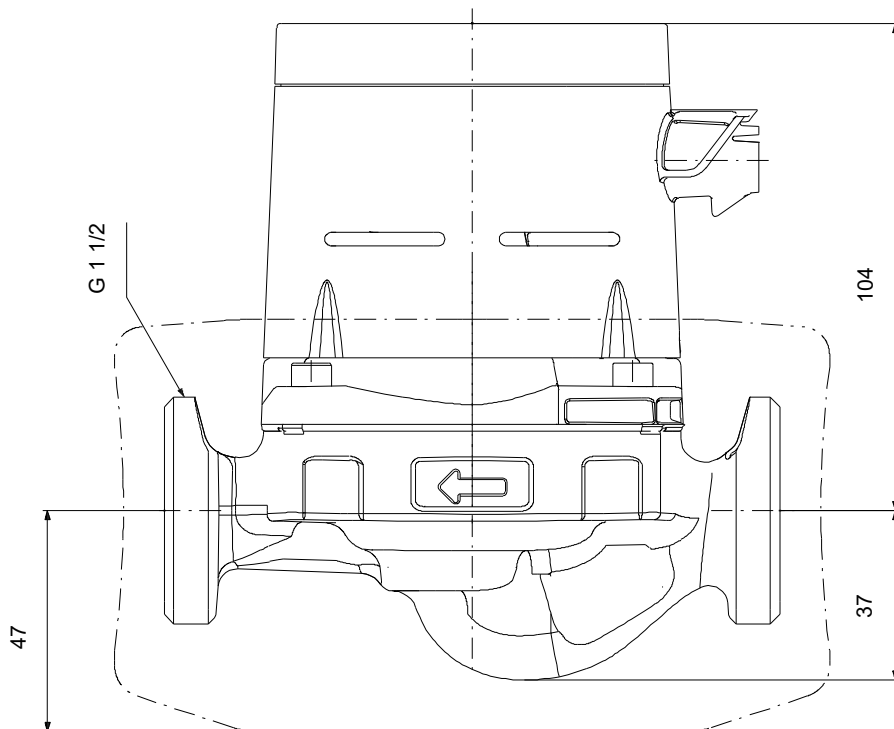
| Popis                        | Hodnota  |
|------------------------------|--|
| <b>Všeobecné informácie:</b> |  |
| Názov produktu:              | ALPHA2 25-80 N 130                               |
| Objednacie číslo:            | 99411289   |
| Číslo EAN:                   | 5713828677723                                    |
| <b>Techn.:</b>               |  |
| Menovitý prietok:            | 2.14 m <sup>3</sup> /h                           |
| Men.dopravná výška:          | 4.36 m   |
| Max. výtláčná výška:         | 80 dm  |
| Orientácia hlavy čerpadla:   | 6H   |
| Trieda TF:                   | 110  |
| Schválenia:                  | VDE,CE,EAC                                       |
| Model:                       | E  |
| <b>Materiály:</b>            |  |
| Teleso čerpadla:             | Nehrdzavejúca oceľ<br>EN 1.4308<br>ASTM A351-CF8 |
| Obežné koleso:               | Kompozit<br>PES 30% GF + PESU-GF20%              |
| <b>Inštalácia:</b>           |  |
| Rozsah teploty okolia:       | 0 .. 40 °C                                       |
| Maximálny prevádzkový tlak:  | 10 bar   |
| Druh pripojenia:             | G  |
| Veľkosť pripojenia:          | 1 1/2 inch                                       |
| PN pre potrubnú prípojku:    | PN 10  |
| Pripojenie na prip.:         | 130 mm   |
| <b>Kvapalina:</b>            |  |
| Čerpaná kvapalina:           | Voda   |
| Rozsah teploty kvapaliny:    | 0 .. 110 °C                                      |
| Vybraná teplota kvapaliny:   | 20 °C  |
| Hustota:                     | 998.2 kg/m <sup>3</sup>                          |
| <b>Elektrické údaje:</b>     |  |
| P1 min:                      | 3 W  |
| Príkion P1:                  | 50 W   |
| f:                           | 50 / 60 Hz                                       |
| Menovité napätie:            | 1 x 230 V  |
| I MAX:                       | 0.04 .. 0.44 A                                   |
| Krytie IP:                   | IPX4D  |
| Izolácia:                    | F  |
| Tepelná ochrana:             | ELEC   |
| <b>Riadiace jednotky:</b>    |  |
| Aut. nočná prevádzka:        | Vrátane automat. nočnej reduk. prevádzky         |
| <b>Iné:</b>                  |  |
| Energia (EEI):               | 0.18   |
| Čistá hmotnosť:              | 2.01 kg  |
| Hrubá hmotnosť:              | 2.16 kg  |
| Prepravné množstvo:          | 0.004 m <sup>3</sup>                             |
| Dánčina:                     | 380463080  |
| Švédčina:                    | 5790521  |
| Fínčina:                     | 4615347  |
| Nórčina:                     | 9043163  |
| Krajina pôvodu:              | DK   |
| Tarifná klasifikácia č.:     | 84137030   |



Čerpaná kvapalina = Voda  
Teplota kvapaliny počas prevádzky = 20 °C  
Hustota = 998.2 kg/m<sup>3</sup>

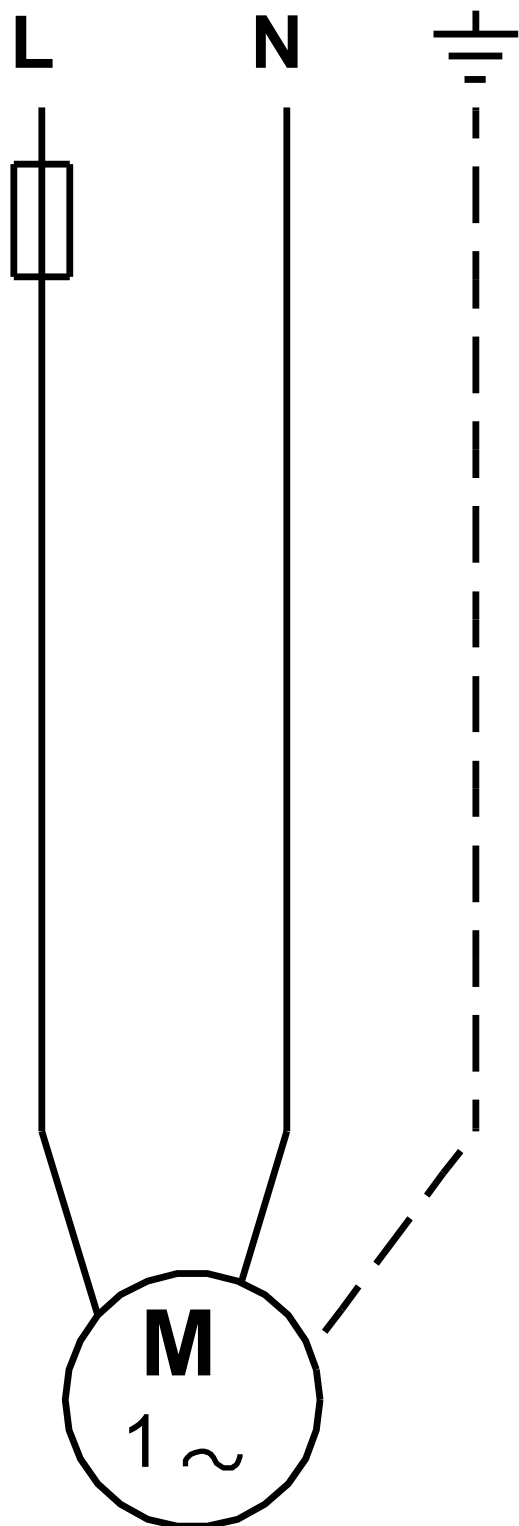


## 99411289 ALPHA2 25-80 N 130



Upozornenie! Všetky jednotky musia byť v [mm], pokiaľ nie je uvedené inak.  
Poznámka: Tento zjednodušený rozmerový náčrtok nezobrazuje všetky detaily.

## 99411289 ALPHA2 25-80 N 130



Upozornenie! Všetky jednotky sú v [mm], pokiaľ nie je uvedené inak!