

**Receiver**

**From**

Company  
Reference  
Address  
Phone  
Fax  
E-mail

**Item n° :** 60176795  
**Customer pos. no.:**  
**Model :** FKC 65 22.2 T5 400D

**Pump data**

Type of impeller : Single vane impeller  
Pump outlet : DN 65  
Pump inlet : DN 65  
Flange standard : EN 1092-1 / PN 16  
Free passage : 65 mm  
Fluid Temperature : 0 °C / 40 °C \*  
\* For higher temperatures please contact our sales network  
pH : 6,5 - 12  
Kinematic viscosity : 1 mm<sup>2</sup>/s  
Max Flow : 79 m<sup>3</sup>/h  
Max. Head : 17.8 m  
Max. Hydraulic efficiency : 58.8 %

**Approvals**

Approvals : 12050-1  
ATEX : NO

**INSTALLATION**

Max. Ambient temperature : 40 °C  
Max. installation depth : 20 m  
Type of installation :  
Wet - Pump only

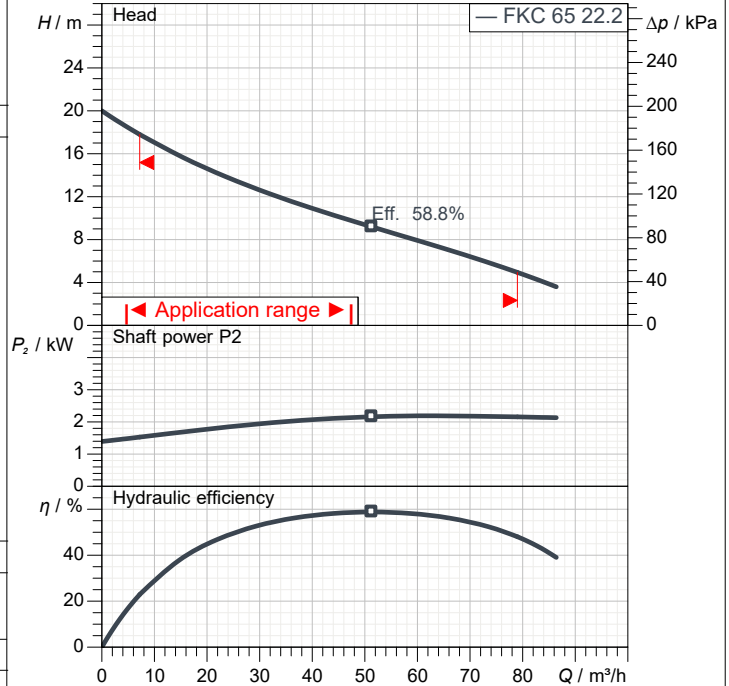
**Materials**

Handle : Stainless Steel (AISI 304)  
Electric cable : 07RN8-F  
Screws : Stainless Steel (AISI 304)  
OR : NBR  
Mechanical seal pump side : SiC/SiC  
Mechanical seal motor side : SiC/Carbon  
Motor shaft : AISI 420  
Pump body / motor : Cast iron (EN GJL 200)  
Impeller : Cast iron (EN GJL 250)  
Wear ring : Cast iron (EN GJL 150)  
Coating : Acrylic Two-component 50µm

**Motor data**

Number of poles : 2  
Max. Input power P1 : 2.52 kW  
**Nominal power P2 :** 2.2 kW  
Rated voltage : 3~ 400 V (+6% / -10%) 50 Hz  
Nominal current : 4.8 A  
Starting current (DOL / YD) : 19.1 A / —  
Starting : Direct starting  
Rated speed : 2900 1/min  
Efficiency : 87.3 %  
Number of starts : 20 /h  
Degree of protection : IP 68  
Insulation class : F 150 °C  
Standard cable type : 10mt 4G1.5+3x1  
Water-in-oil sensor : NO  
Motor protection : Thermal switch

**Curve tolerance according to ISO 9906**



**Fluid data**

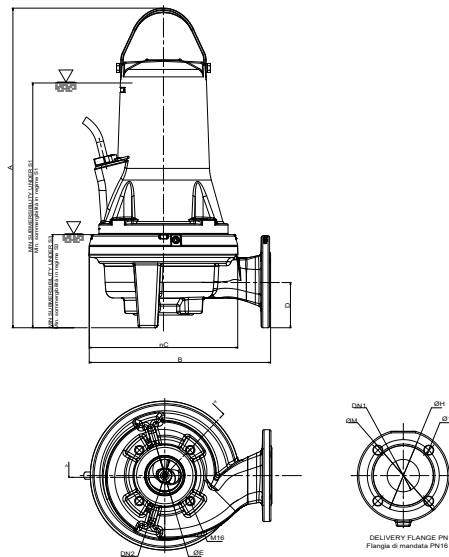
Fluid : Water  
Density : 998.3 kg/m<sup>3</sup>  
Fluid Temperature : 20 °C  
Kinematic viscosity : 1.005 mm<sup>2</sup>/s

**Requested data**

Flow :  
Head :

**Real duty point**

Flow :  
Head :



**Pump weight :**

93 kg

**Accessory weight :**

**Dimensions in**

**mm**

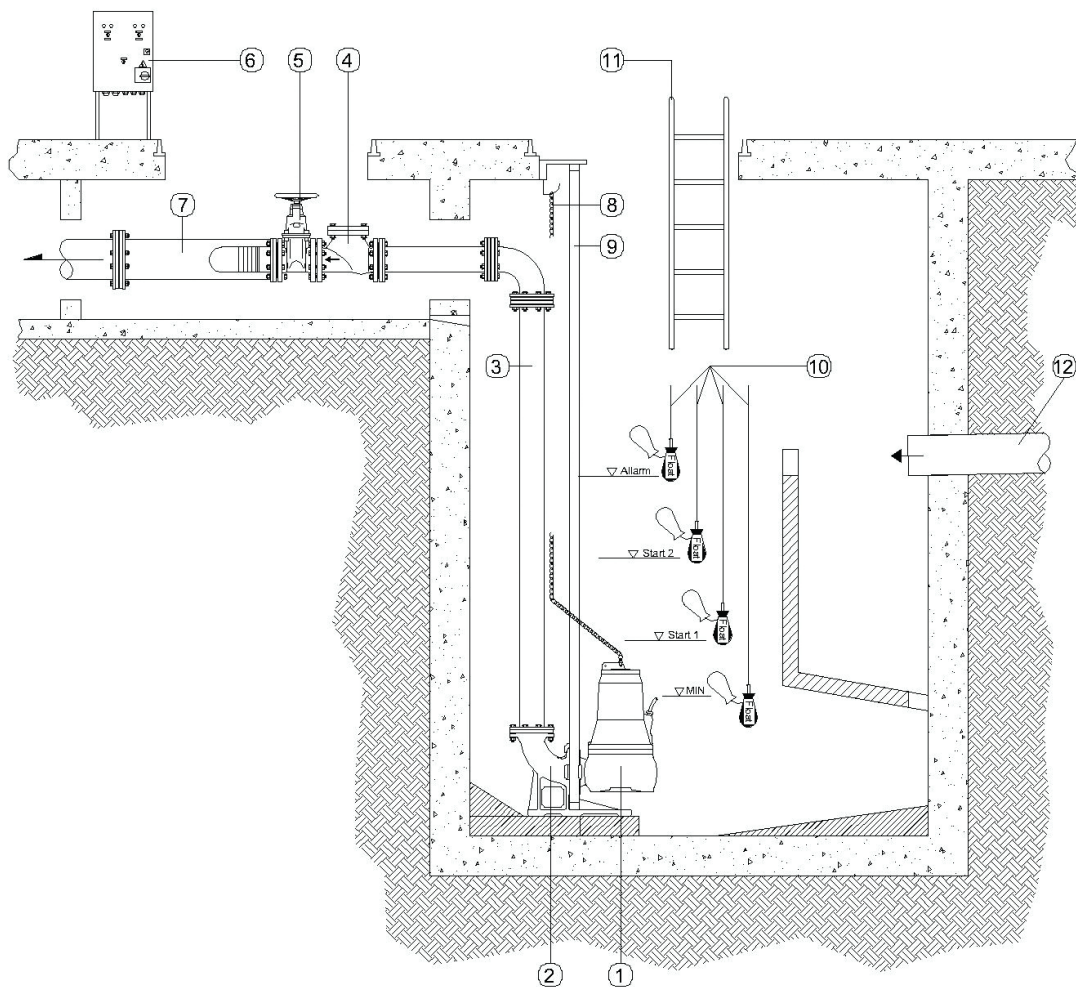
A	645	ØH	145
B	365	ØM	185
D	91	S1	494
DN1	65	S3	188
DN2	65		
Ø18	4xØ18		
ØC	300		
ØE	145		

Receiver

From

Company  
Reference  
Address  
Phone  
Fax  
E-mail

## Installation example



- 1: SUBMERSIBLE PUMPS
- 2: BASE ELBOW
- 3: DISCHARGE PIPE
- 4: BALL CHECK VALVE
- 5: GATE VALVE
- 6: CONTROL PANEL
- 7: MANIFOLD
- 8: LIFTING CHAIN
- 9: DROP PIPE
- 10: LEVEL SWITCHES
- 11: SUMP INSPECTION LADDER
- 12: INTAKE PIPE



# PERFORMANCE CURVES

2023-07-24

Page 3 / 4

DAB PUMPS S.p.A.  
Via Marco Polo, 14 - 35035 Mestrino (PD), Italy  
Tel. +39 049 5125000 - Fax +39 049 5125950  
www.dabpumps.com

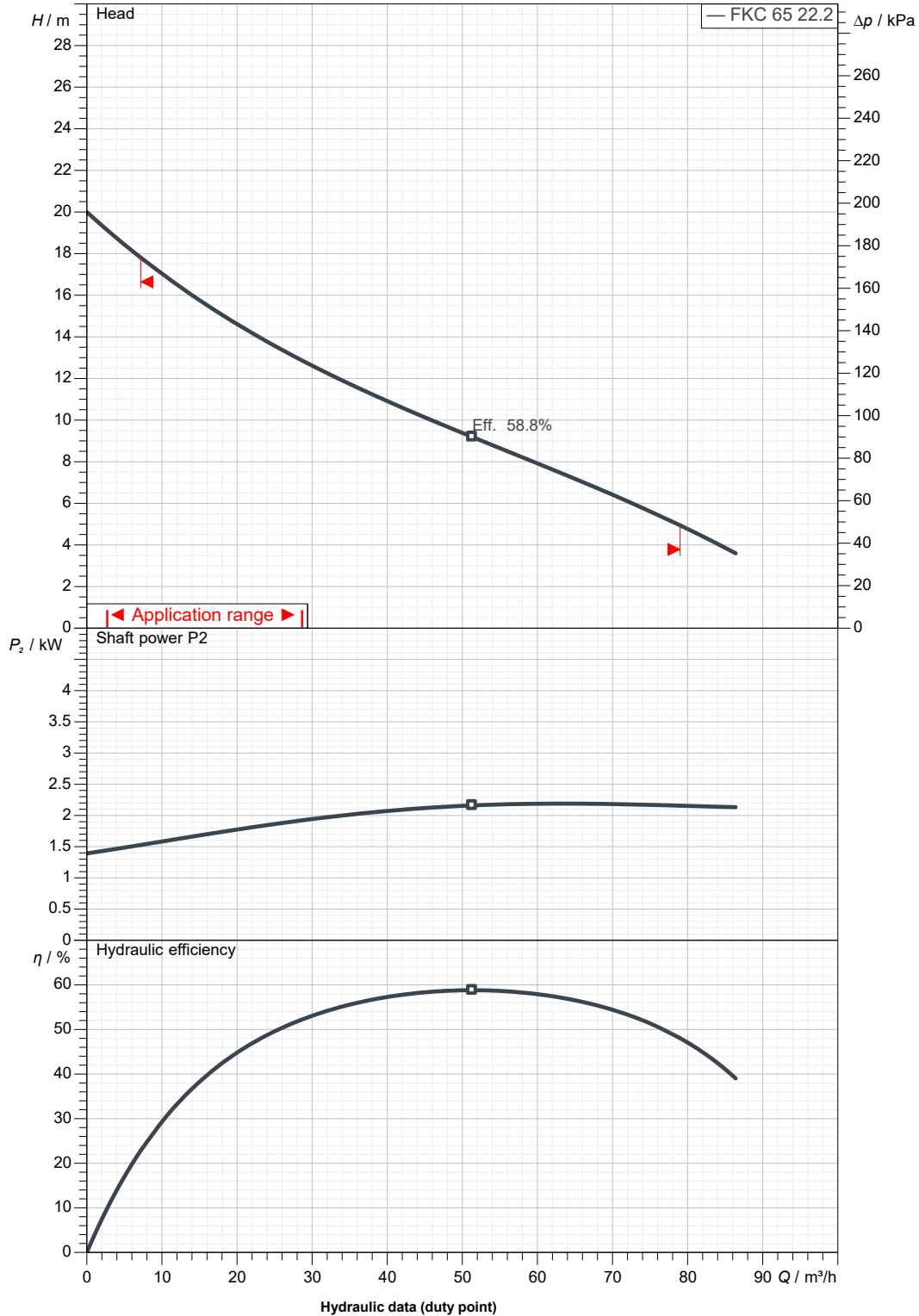
Receiver

From

Company  
Reference  
Address  
Phone  
Fax  
E-mail

## FKC 65 22.2 T5 400D

Curve tolerance according to ISO 9906



Suction side :  
DN 65  
PN 16

Discharge side :  
DN 65  
PN 16

Flow :

Head :

Rated speed :  
2900 1/min

MAIN\_PROJECT\_TITLE

BUSINESS\_PROCESS\_ID

OWNER\_

ISSUE\_DATE

2023-07-24



# DIMENSIONAL DRAWING

2023-07-24

Page 4 / 4

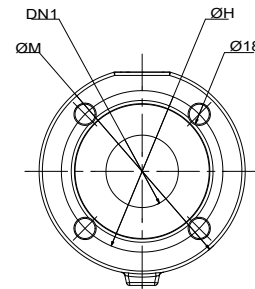
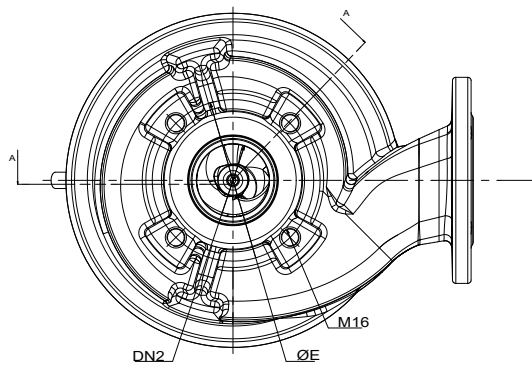
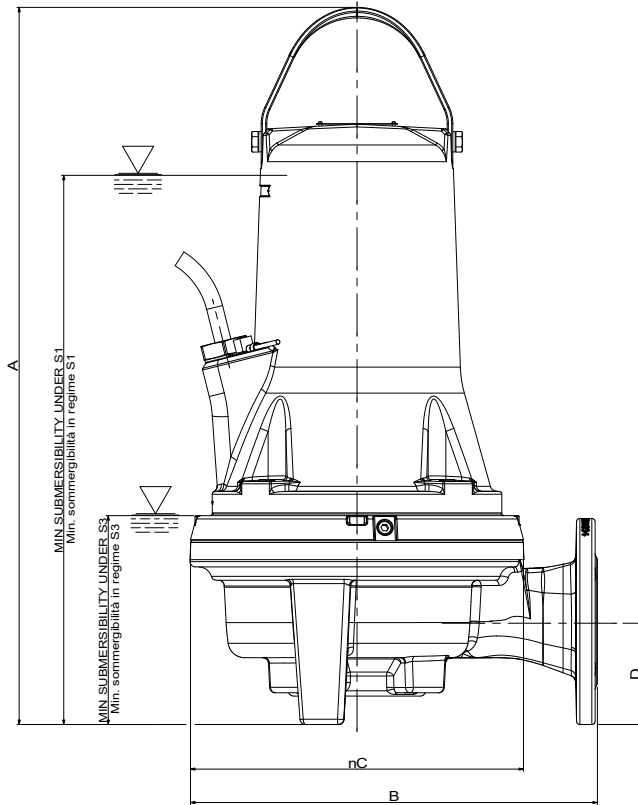
DAB PUMPS S.p.A.  
Via Marco Polo, 14 - 35035 Mestrino (PD), Italy  
Tel. +39 049 5125000 - Fax +39 049 5125950  
www.dabpumps.com

Receiver

From

Company  
Reference  
Address  
Phone  
Fax  
E-mail

## FKC 65 22.2 T5 400D



DELIVERY FLANGE PN16  
Flangia di mandata PN16

Dimensions in mm						Pump connection
1	A	645	S3	188		Suction DN 65 PN 16  Discharge DN 65 PN 16
2	B	365				
3	D	91				
4	DN1	65				
5	DN2	65				
6	Ø18	4xØ18				
7	ØC	300				
8	ØE	145				
9	ØH	145				
10	ØM	185				
11	S1	494				

MAIN_PROJECT_TITLE	BUSINESS_PROCESS_ID	OWNER	ISSUE_DATE <b>2023-07-24</b>
--------------------	---------------------	-------	---------------------------------